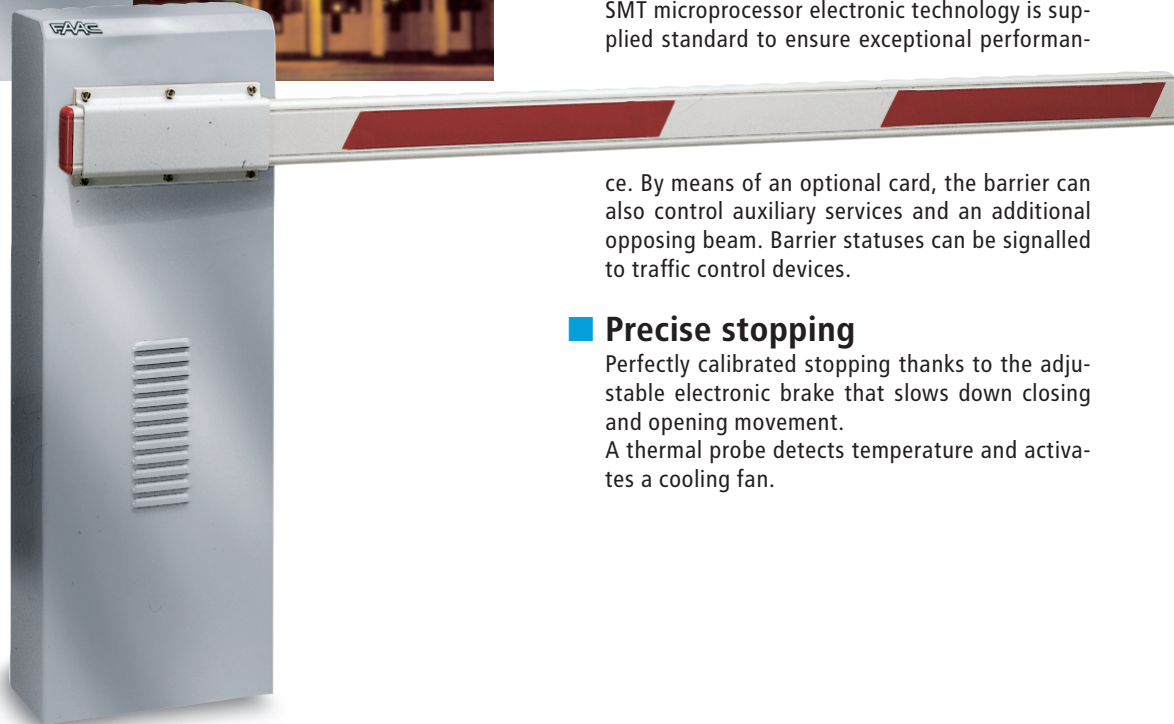


642 INOX

for beams up to 7 m



■ Beam

■ Self-supporting barrier body

■ Fast and versatile

For beams of up to 4 metres, the "rapid" version of the FAAC 642/40 offers the continuity solution to the traffic problem, by enabling uninterrupted use frequency. The "Standard" version is suitable for lighter traffic, and can be equipped with a skirt to prevent break-ins.

■ The right solution for large industrial accesses

With its length of 4 to 7 metres, the FAAC 642/70 range is ideal for traffic-control in large industrial accesses, with particularly demanding use. On top of that, the stainless-steel version ensures resistance against any environmental aggression and reliability in line with the severest demands.

■ High-tech

SMT microprocessor electronic technology is supplied standard to ensure exceptional performance.

By means of an optional card, the barrier can also control auxiliary services and an additional opposing beam. Barrier statuses can be signalled to traffic control devices.

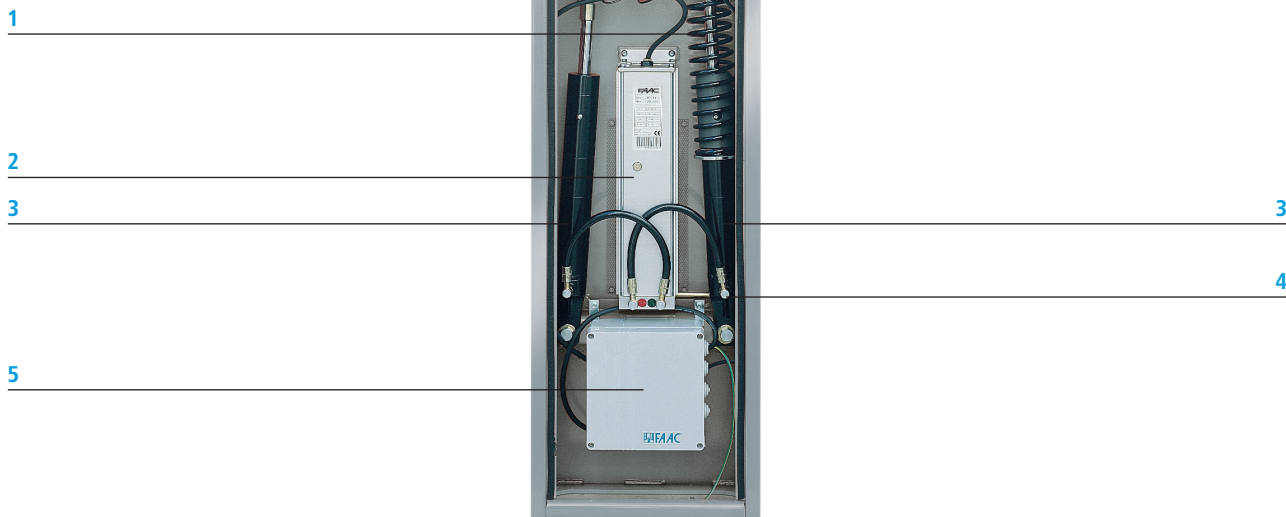
■ Precise stopping

Perfectly calibrated stopping thanks to the adjustable electronic brake that slows down closing and opening movement.

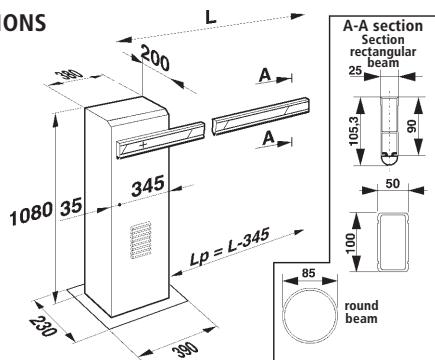
A thermal probe detects temperature and activates a cooling fan.



- 1 Balancing spring
- 2 Hydraulic pump unit
- 3 Cylinders with plunger pistons
- 4 Release device by triangular key
- 5 624 MPS control board



DIMENSIONS



L = Beam length
LP = Transit space length

Values in mm

Technical characteristics of 624 MPS control board

Power supply	230 Vac (+6% -10%) 50 (60) Hz
Motor maximum load	300 W
Accessories output	24 Vdc 500 mA max
Operating ambient temperature	-20°C ÷ +55°C
Three protection fuses	0,25 A transformer - 5 A motor - 1,6 A accessories
Enclosure dimensions	174x178x102 mm (LxHxD)
Protection class	IP 55

SMT technology

Programmable functions: - Three function logics - A/E/P, Pause times, Pre-flashing, Electronic deceleration (short or long), Operation of indicator-light

Inputs signalling LED, alarm and limit-switch

Terminal board outputs - Indicator-light, flashing Lamp

Terminal board inputs - Open, stop, safety devices, anti-panic

Rapid connectors for: Motor, limit-switch, decoding cards/card receivers, optional cards

Reset push-button

Technical characteristics	642 STD/40 LH/RH	642 R/40 LH/RH	642 /70 LH/RH
Power supply	230 Vac (+6% -10%) 50 (60) Hz		
Electric motor	Single-phase, bi-directional		
Absorbed power	220 W		
Absorbed current	1A		
Motor rotation speed	1.400 rpm	1.400 - 2.800 rpm	
Pump flow rate	0,75 l/min. - 0,75-1 l/min.	1,5 - 2 l/min.	0,75 - 1 - 1,5 - 2 l/min.
Thermal protection on motor winding	120°C		
Effective torque	0÷200 / 0÷150 Nm	0÷110 / 0÷90 Nm	0÷470/0÷340 /0÷250 /0÷210 Nm
Electronic deceleration	Adjustable with cams		
Operating ambient temperature	-20°C ÷ +55°C		
Weight	73 kg		84 kg
Type of oil	FAAC HP OIL		
Barrier body treatment	STAINLESS STEEL		
Protection class	IP 44		
Cooling	Forced air		
Type of beam	rigid rectangular - rigid rectangular with skirt - round - pivoting round	rigid rectangular - round - pivoting round	rectangular - rectangular with skirt

Model	Use			Control board
	Beam max. length (m)	Opening time (s)	Use frequency (cycles/hour)	
642 STD/40 LH/RH	4,00	3,5 (3m) 4,5 (4m)	70	624 MPS built-in
642 R/40 LH/RH	4,00	<2 (3m) <3 (4m)	100	624 MPS built-in
642/70 LH/RH	7,00	4 (5m) 5,5 (6m) 8 (7m)	100	624 MPS built-in